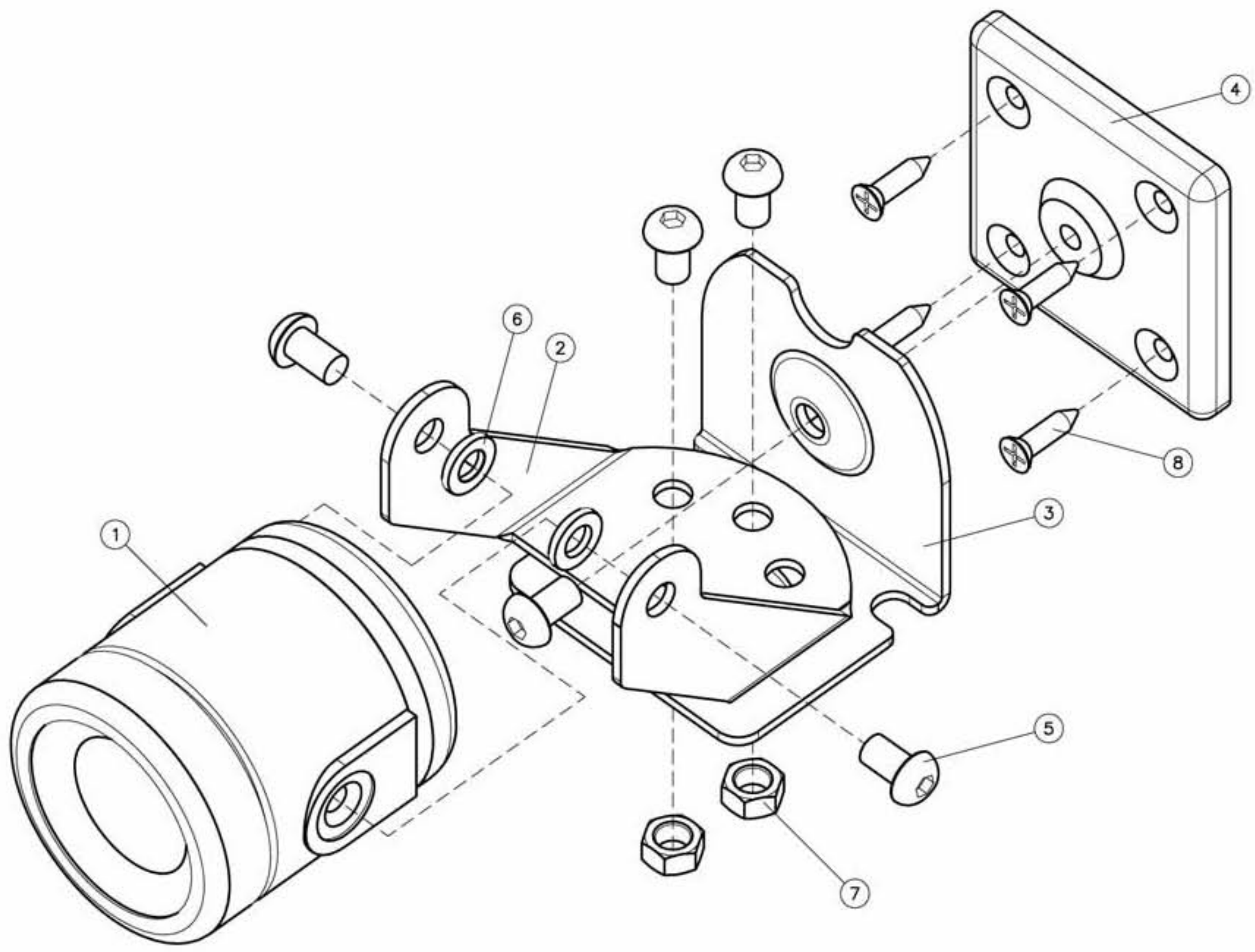


BILL OF MATERIALS

ITM	QTY	DESCRIPTION	REFERENCE
1	1	CAMERA CC-02 C/W CABLE 56" [1.4M]	1108-001
2	1	SWIVEL BRACKET	1108-002
3	1	L-BRACKET	1108-003
4	1	BASE PLATE	1108-004
5	2	FLAT WASHER M6	
6	5	SCREW, BUTTON HEAD, M6x10	
7	2	NUT, HEX, M6	
8	4	SCREW, SELF-TAP, FH PHILL, #5x15mm	
9	1	ALLEN WRENCH, 5/32	NOT SHOWN



COLOR CAMERA, ALL WEATHER
OPTICOM MODEL CC-02
CAMERA WITH BRACKETS ASSEMBLY



EXPLODED VIEW

A	13 AUG 11	ISSUED FOR REVIEW AND APPROVAL	RPD
REV	DATE	DESCRIPTION	DWN

OPTICOM TECHNOLOGIES LTD
560-425 CARRALL ST. VANCOUVER BC CANADA

APP	PROJ	SIZE	MOD	SHEET
CHK DB	11x17	0	1	OF 1
DWN RPD	13 AUG 11	SCALE 1:1	DWG No. 1108-005	